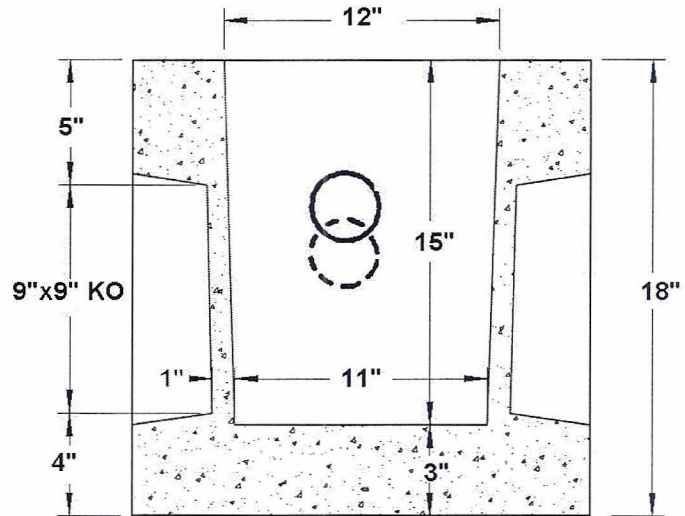
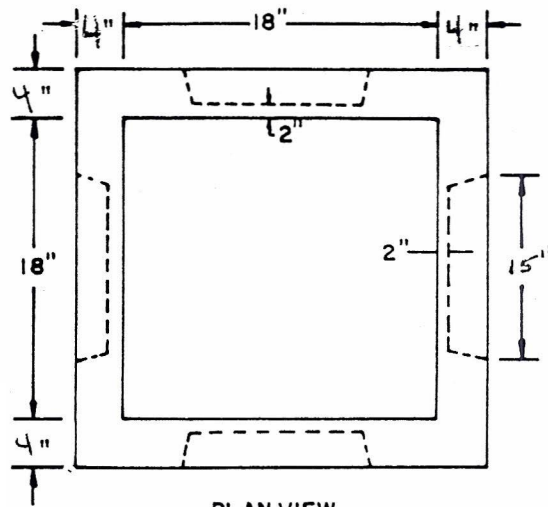


Top View

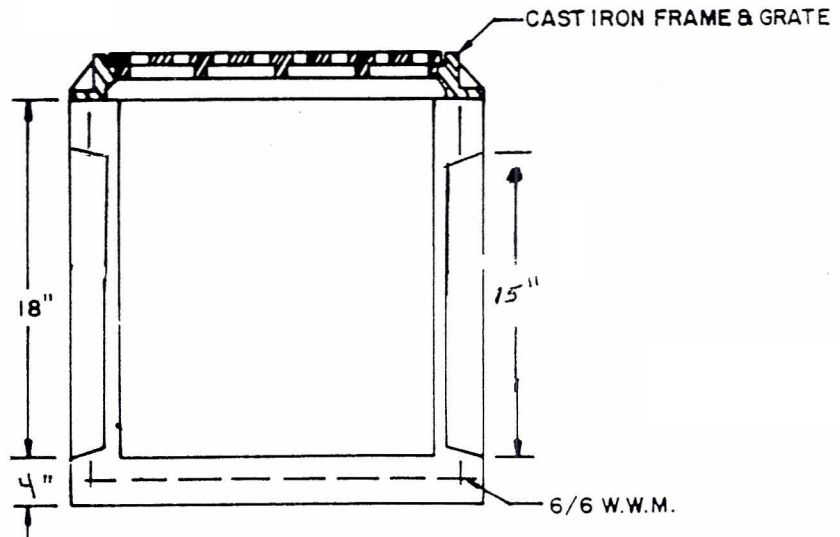


Side View

SPECIFICATIONS	
<p>Concrete Min. Strength: 4,000 psi at 28 days Reinforcement: #3 Rebar / ASTM A615 Air Entrainment: 5% Construction Joint: Butyl Rubber Sealant Weights: Base = 300 lbs, Riser = 195 lbs/foot</p>	<p>PRECAST CATCH BASIN MODEL CB-12x12</p>
<p>Expanded Supply Products, Inc. 3330 Rt 9, Cold Spring, NY 10516 (845) 265 - 3771</p>	



PLAN VIEW



SECTION

Concrete to test 4000 PSI at 28 days
in conformance with ASTM C-478-68

NOTE:

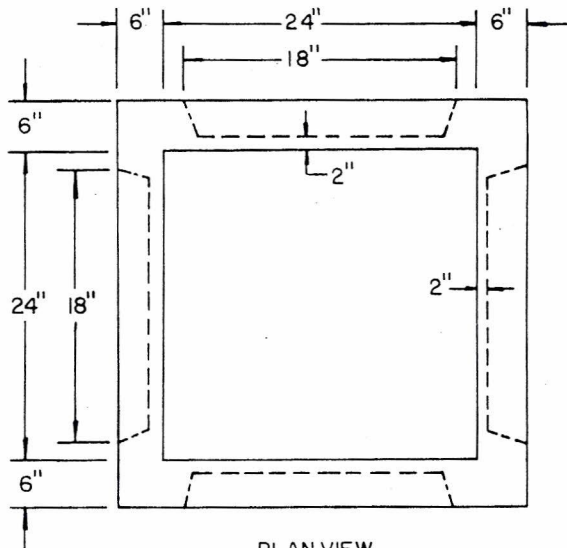
- THIS UNIT HAS 4-8" DIA. KNOCKOUT PANELS CENTERED ON SIDEWALLS.
- WEIGHTS
CATCH BASIN - 732 LBS.
TOP SLAB ALSO AVAILABLE. - 230 LBS. (4" THICK)

EXPANDED SUPPLY PRODUCTS, INC.
3330 ROUTE 9
COLD SPRING, NY 10516
TEL. (845) 265-3771 FAX (845) 265-3772

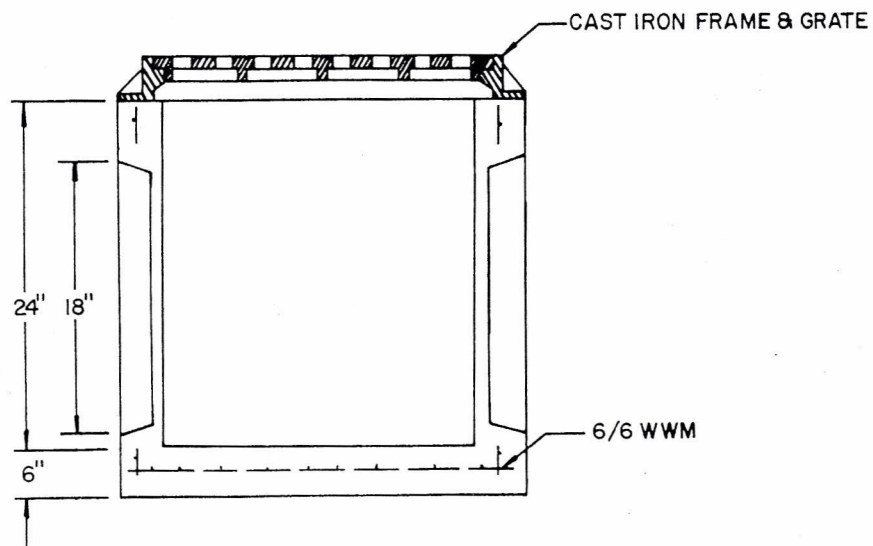
18" x 18" x 18"

**Knockout
Catch Basin**

Date: 12/22/93 Dwg. # 108



PLAN VIEW



SECTION

Concrete to test 4000 PSI at 28 days
in conformance with ASTM C-478-68

NOTE:

- THIS UNIT HAS 4-18" x 18" I.D. KNOCKOUT PANELS CENTERED ON SIDEWALLS
- WEIGHTS
CATCH BASIN - 1708 LBS.
CONCRETE FLAT TOP AVAILABLE - 440 LBS. (4" THICK)

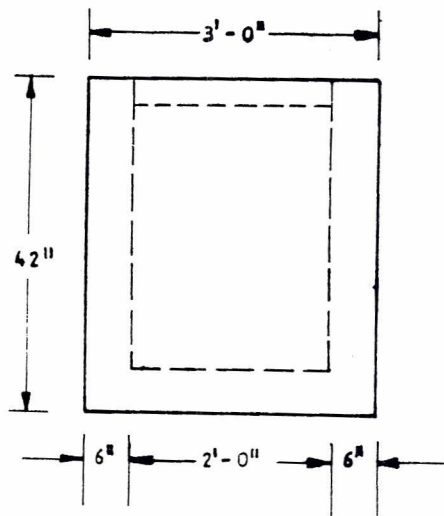
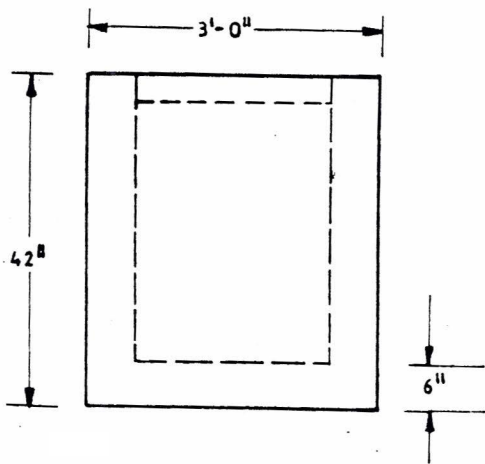
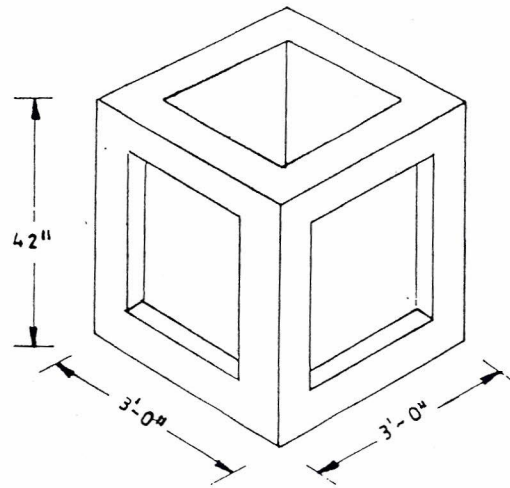
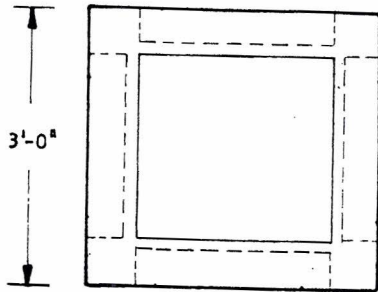
EXPANDED SUPPLY PRODUCTS, INC.
3330 ROUTE 9
COLD SPRING, NY 10516
TEL. (845) 265-3771 FAX (845) 265-3772

24" x 24" x 24"

Knockout
Catch Basin

Date: 12/22/93

Dwg. # 109



Concrete to test 4000 PSI at 28 days
in conformance with ASTM C-478-68

SPECIFICATIONS :

Concrete Strength: 4,000 P.S.I. 28 Days

Steel Reinforcement: 4" x 4" no. 8 steel
wire mesh

Air Entrained Concrete 5 - 9 %

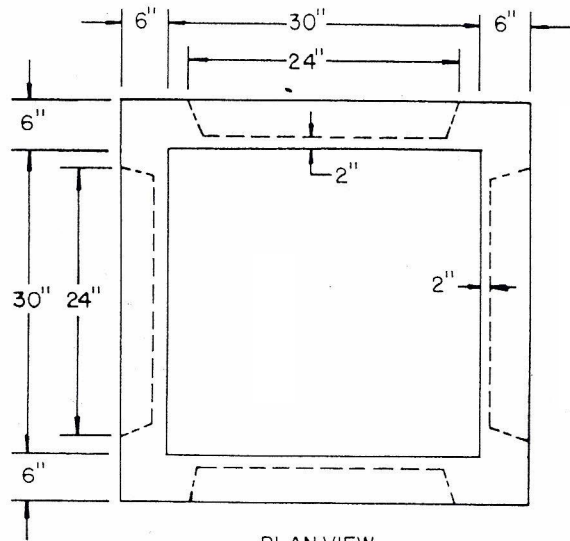
EXPANDED SUPPLY PRODUCTS, INC.

3330 ROUTE 9
COLD SPRING, NY 10516
TEL. (845) 265-3771 FAX (845) 265-3772

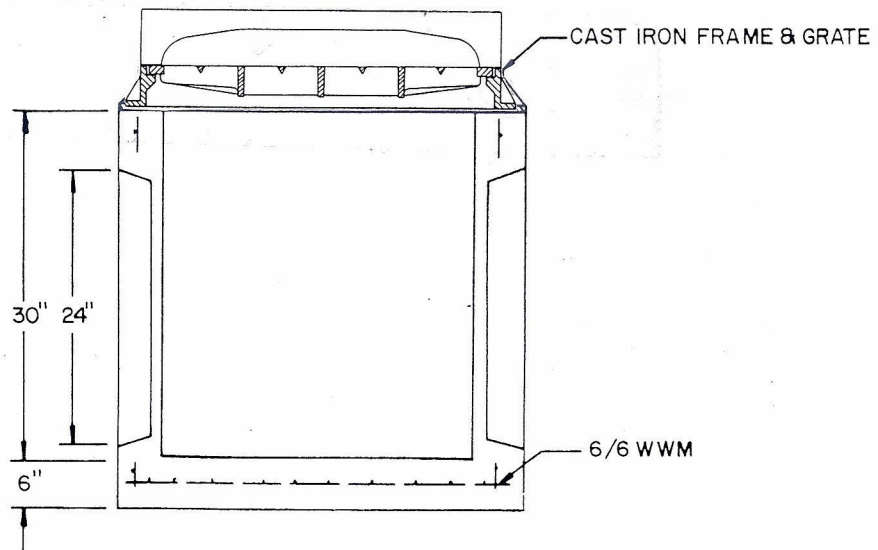
24" x 24" x 36" ID

Knockout
Catch Basin

Date: 02/10/94 Dwg. # 216



PLAN VIEW



SECTION

Concrete to test 4000 PSI at 28 days
in conformance with ASTM C-478-68

NOTE:

- THIS UNIT HAS 4-24"x24" I.D. KNOCKOUT PANELS CENTERED ON SIDEWALLS
- WEIGHTS
CATCH BASIN - 2347 LBS.
CONCRETE FLAT TOP AVAILABLE - 907 LBS. (6" THICK)

EXPANDED SUPPLY PRODUCTS, INC.

3330 ROUTE 9
COLD SPRING, NY 10516
TEL. (845) 265-3771 FAX (845) 265-3772

30"x30"x30"

Knockout
Catch Basin

Date: 12/22/93 Dwg. # 110



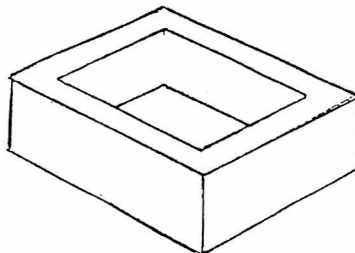
EXPANDED SUPPLY PRODUCTS, INC.

Excavation · Highway · Water · Sewer Materials

3330 Route 9 · Cold Spring, NY 10516

Tel: (845) 265-3771 · Fax: (845) 265-3772

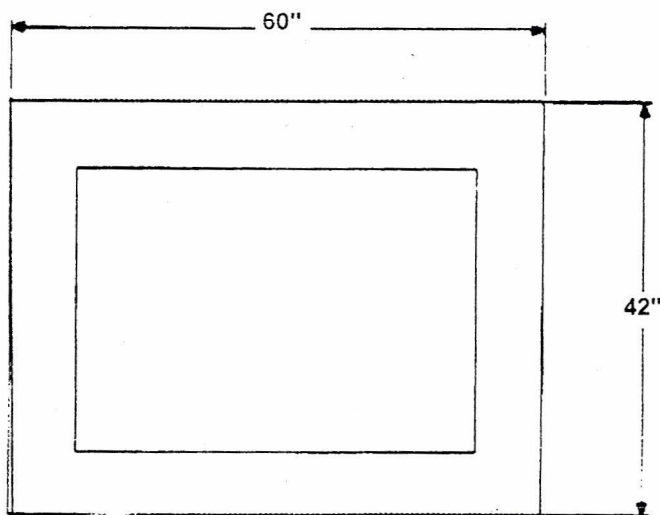
<http://ExpandedSupplyProducts.com>



Catch Basin

30"x48" ID SUMP BOX

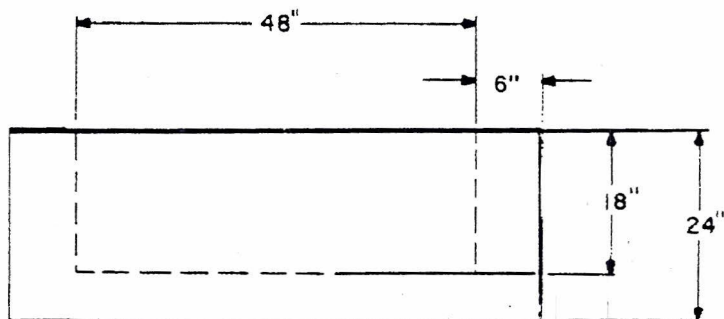
6" walls



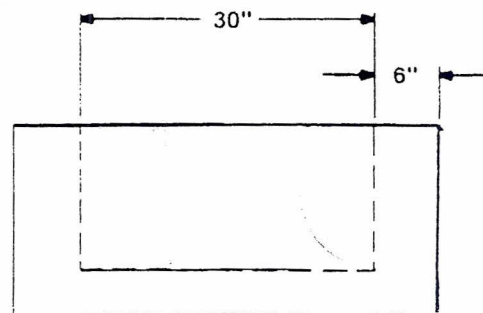
TOP

Design Notes

1. 4,000 PSI concrete @ 28 days.
2. Design Loading AASHTO H-20-44.
3. Meets or exceeds state and local specifications.
4. Approximate weight ... 3400 lbs.



FRONT



SIDE



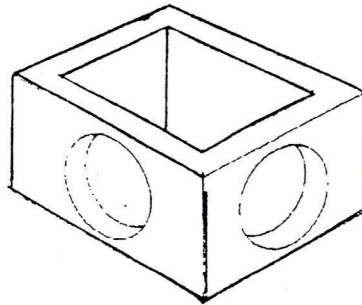
EXPANDED SUPPLY PRODUCTS, INC.

Excavation · Highway · Water · Sewer Materials

3330 Route 9 · Cold Spring, NY 10516

Tel: (845) 265-3771 · Fax: (845) 265-3772

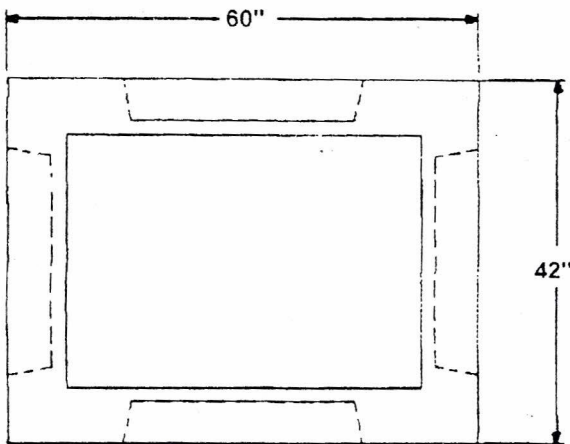
<http://ExpandedSupplyProducts.com>



Catch Basin

30"x48" ID KO risers

6" walls

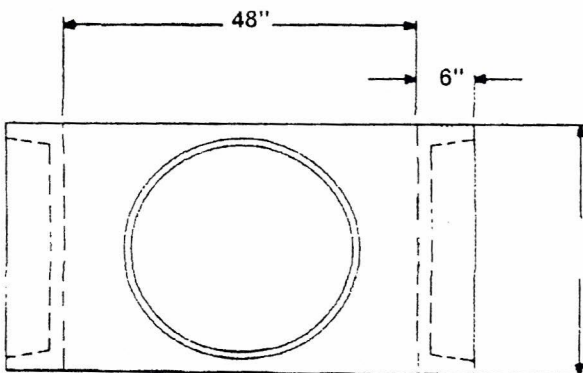


TOP

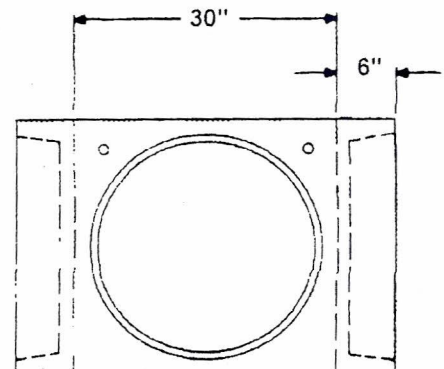
Design Notes

1. 4,000 PSI concrete @ 28 days.
2. Design Loading AASHTO H-20-44.
3. Meets or exceeds state and local specifications.

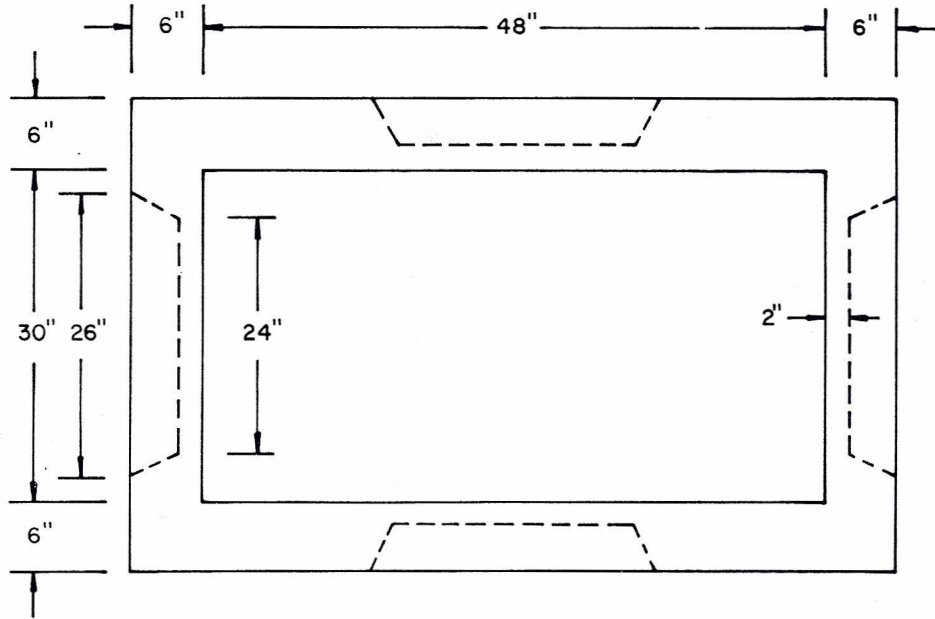
Wall Height	Average Weight
1' (no KO's)	1200#
2' (no KO's)	2400#
3' w/ KO's	3600#
4' w/ KO's	4800#



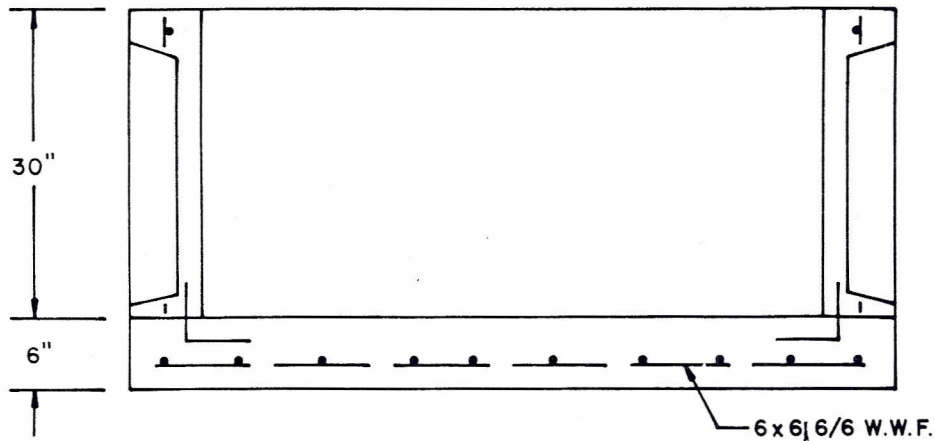
FRONT



SIDE



PLAN VIEW



SECTION

Concrete to test 4000 PSI at 28 days
in conformance with ASTM C-478-68

- NOTES:
- THIS UNIT HAS 4 - 24" x 24" KNOCKOUT PANELS CENTERED ON SIDE WALLS.
 - APPROX. WEIGHT = 3,015 LBS.

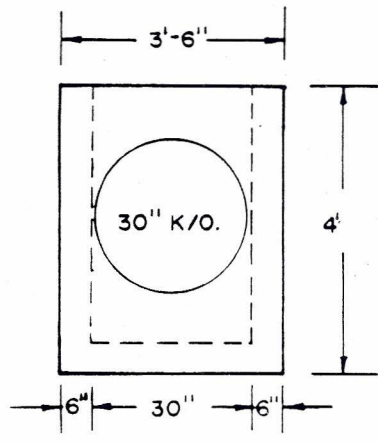
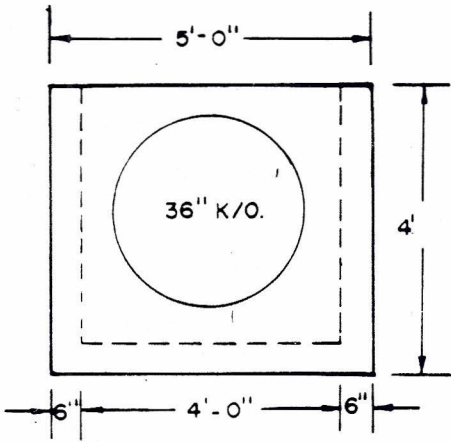
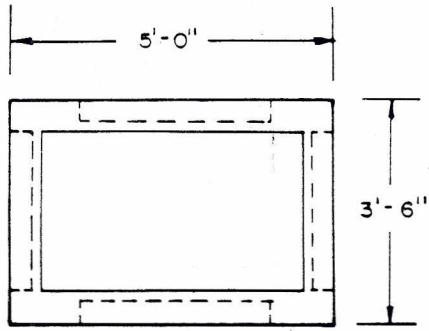
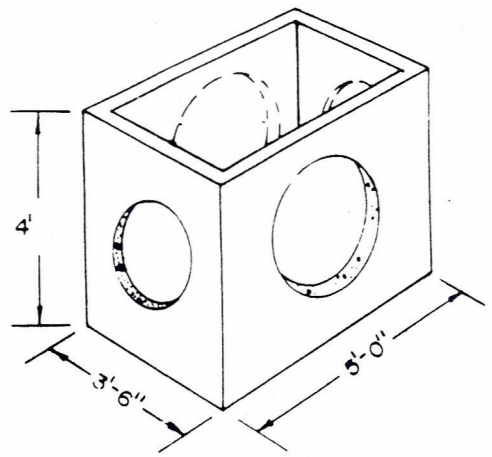
EXPANDED SUPPLY PRODUCTS, INC.
3330 ROUTE 9
COLD SPRING, NY 10516
TEL. (845) 265-3771 FAX (845) 265-3772

30" x 48" x 30"

**Knockout
Catch Basin**

Date: 12/22/93

Dwg. # 111



Concrete to test 4000 PSI at 28 days
in conformance with ASTM C-478-68

SPECIFICATIONS :

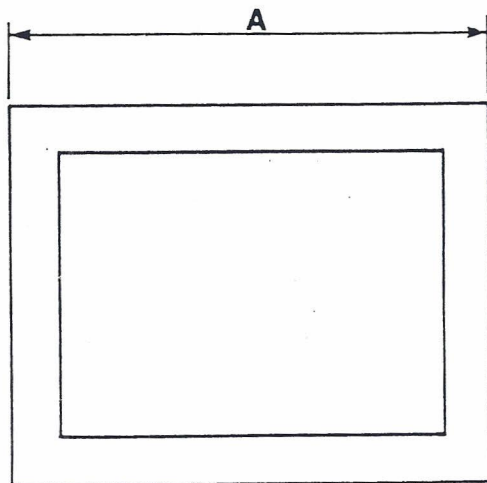
Concrete Strength: 4,000 P.S.I. 28 Days
Steel Reinforcement: 4" x 4" no.8 steel wire mesh
Air Entrained Concrete

EXPANDED SUPPLY PRODUCTS, INC.
3330 ROUTE 9
COLD SPRING, NY 10516
TEL (845) 265-3771 FAX (845) 265-3772

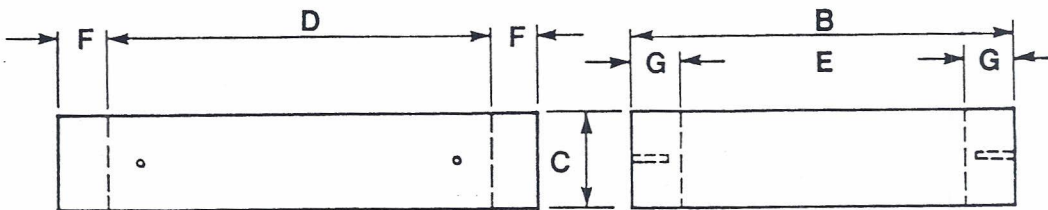
30" x 48" x 12" ID
Knockout
Catch Basin

Date: 02/10/94 Dwg. # 215

CATCH BASIN RISERS



Product Number	Dimensions in Inches						
	A	B	C	D	E	F	G
CBR-181812	30	30	12	18	18	6	6
CBR-242412	36	36	12	24	24	6	6
CBR-242424	36	36	24	24	24	6	6
CBR-303012	42	42	12	30	30	6	6
CBR-303024	42	42	24	30	30	6	6
CBR-304812	42	60	12	30	48	6	6
CBR-304824	42	60	24	30	48	6	6



Concrete to test 4000 PSI at 28 days
in conformance with ASTM C-478-68

SPECIFICATIONS:

Concrete Strength: 4,000 P.S.I. 28 Days
Reinforcing: Wire Mesh

EXPANDED SUPPLY PRODUCTS, INC.
3330 ROUTE 9
COLD SPRING, NY 10516
TEL. (845) 265-3771 FAX (845) 265-3772

Catch Basin
Risers

Date: 02/10/94 Dwg. # 219



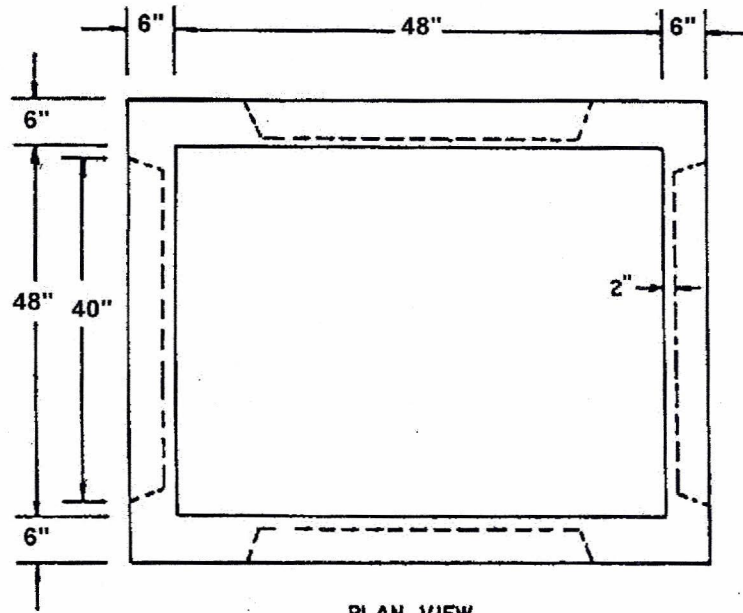
EXPANDED SUPPLY PRODUCTS, INC.

Excavation · Highway · Water · Sewer Materials

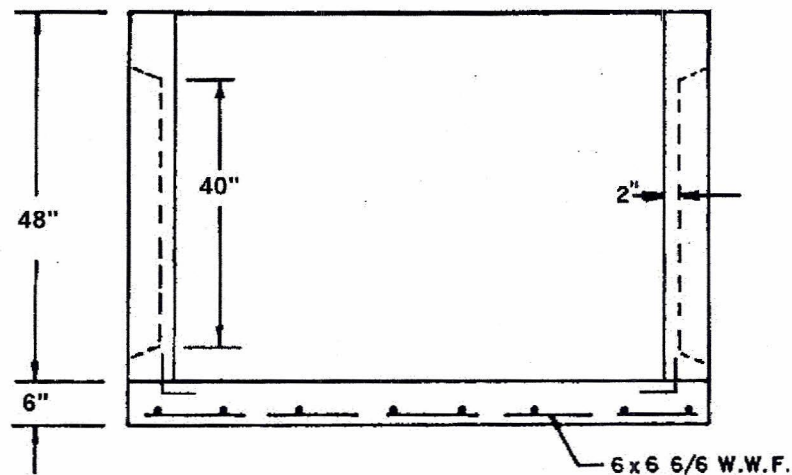
3330 Route 9 · Cold Spring, NY 10516

Tel: (845) 265-3771 · Fax: (845) 265-3772

<http://ExpandedSupplyProducts.com>



PLAN VIEW



SECTION

48"x48"x48"h ID Knock Out Catch Basin

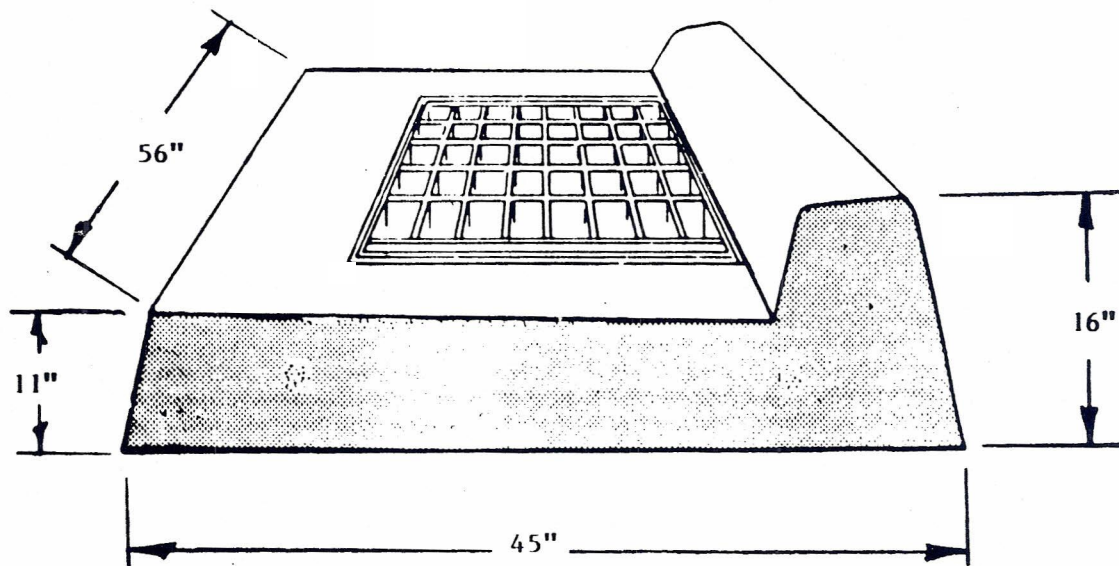
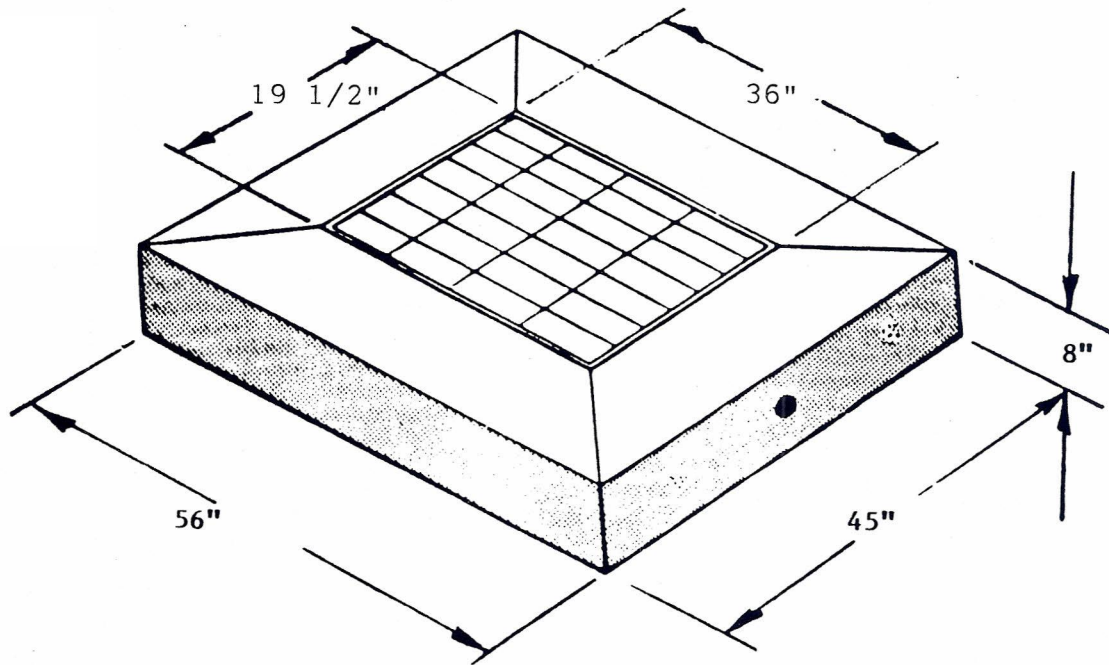
CONCRETE TO TEST 4000 PSI AT 28 DAYS

40"x40" KO panel on each wall

approx weight 6,500 lbs.

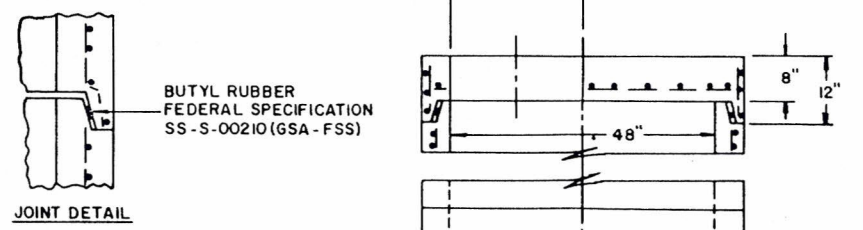
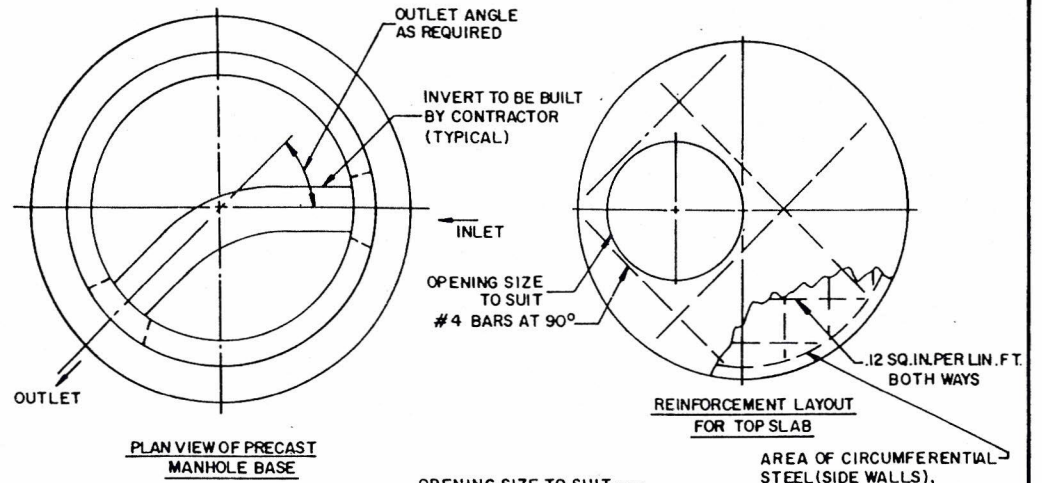
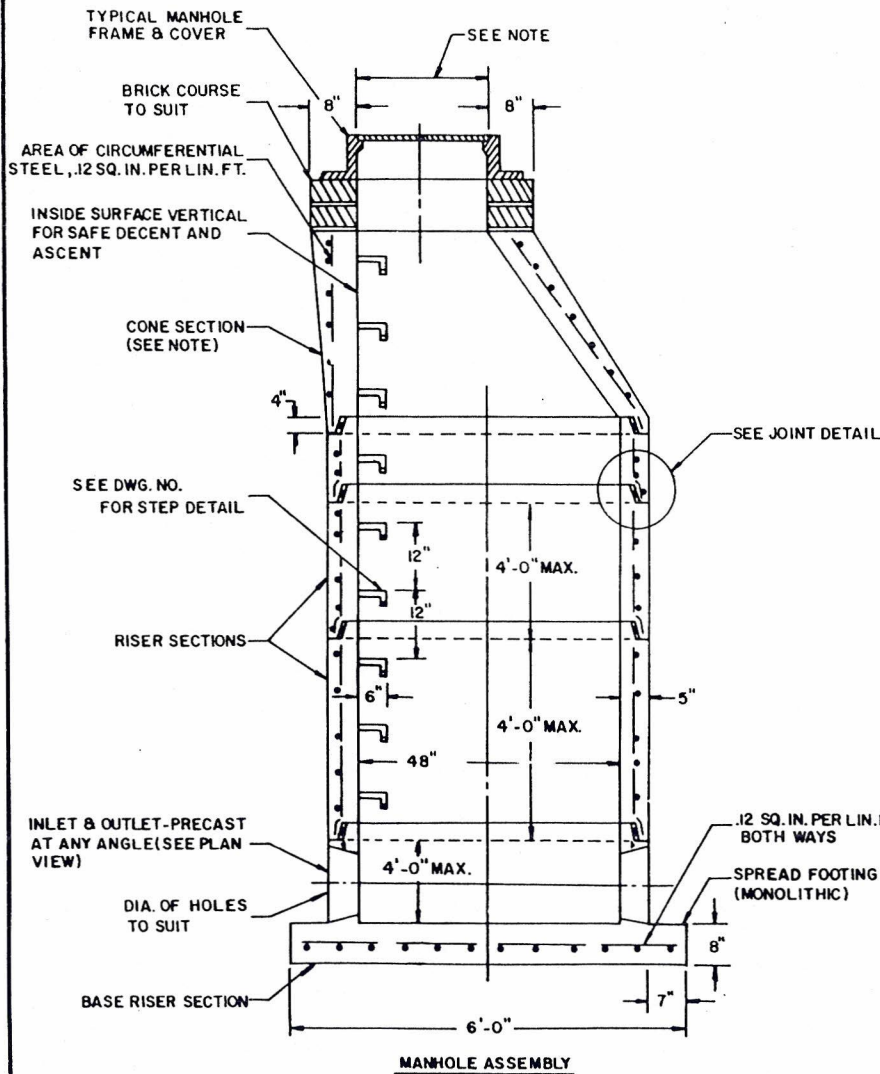
1' and 2' risers available

HS-20 design load



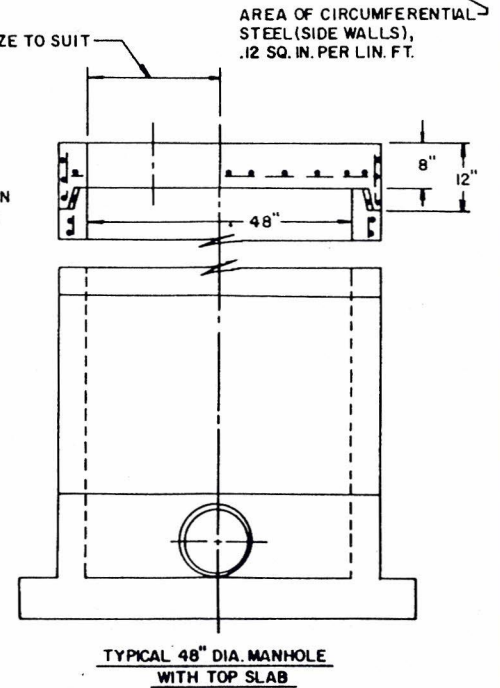
SPECIFICATIONS:
Concrete Strength: 4,000 P.S.I. 28 Days
Reinforcing: Wire Mesh

EXPANDED SUPPLY PRODUCTS, INC. 3330 ROUTE 9 COLD SPRING, NY 10516 TEL. (845) 265-3771 FAX (845) 265-3772	
Precast Concrete catch basin tops	
Date: 01/07/94	Dwg. # 176



Note:

Cone dimensions	
dia. opening	Height
24"	36"
30"	24"



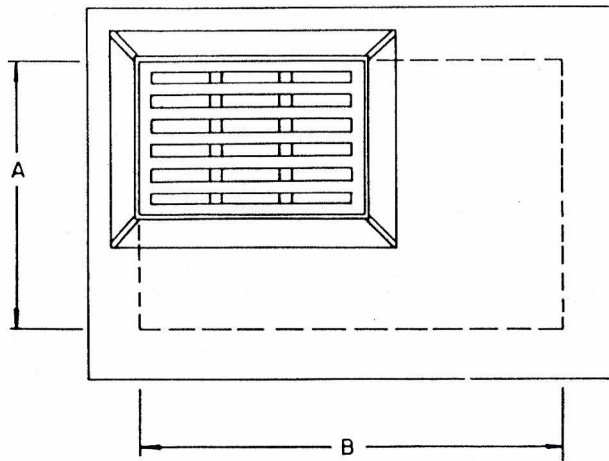
APPROX. WEIGHTS:

- BASE = 2800 LBS.
- RISERS = 875 LBS./FT.
- TOP SLAB = 1575 LBS.
- 24" HIGH CONE = 1950 LBS.
- 36" HIGH CONE = 2470 LBS.

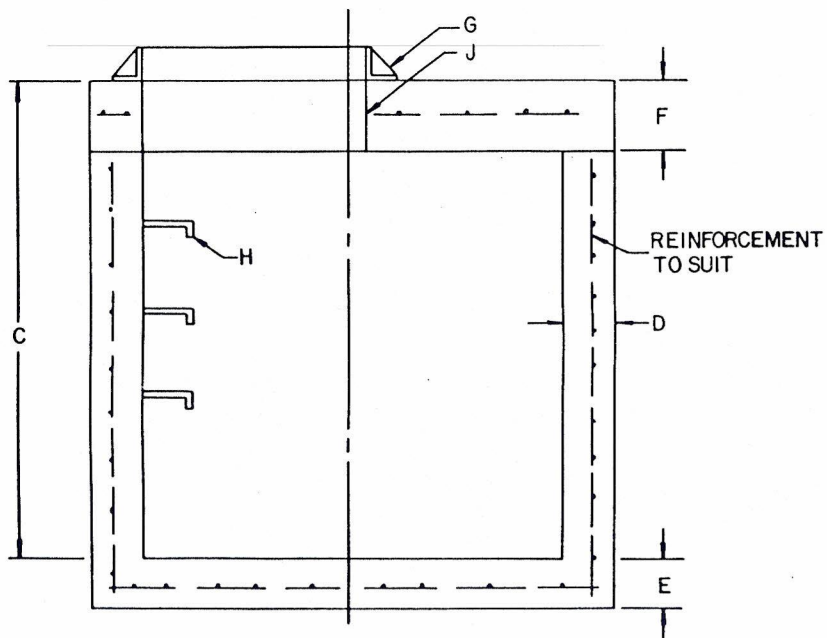
EXPANDED SUPPLY PRODUCTS, INC.
 3330 ROUTE 9
 COLD SPRING, NY 10516
 TEL. (845) 265-3771 FAX (845) 265-3772

**4'-0" dia. Precast Catch Basin
 w/ spread footing
 Typical Assembly**

Date: 12/22/93 Dwg. # 102



PLAN VIEW

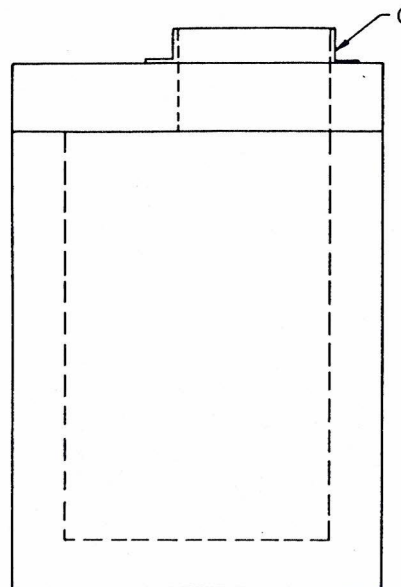


SECTION

SYM	DIMENSION OR DESCRIPTION
A	
B	
C	
D	
E	
F	
G	
H	
J	

NOTES:

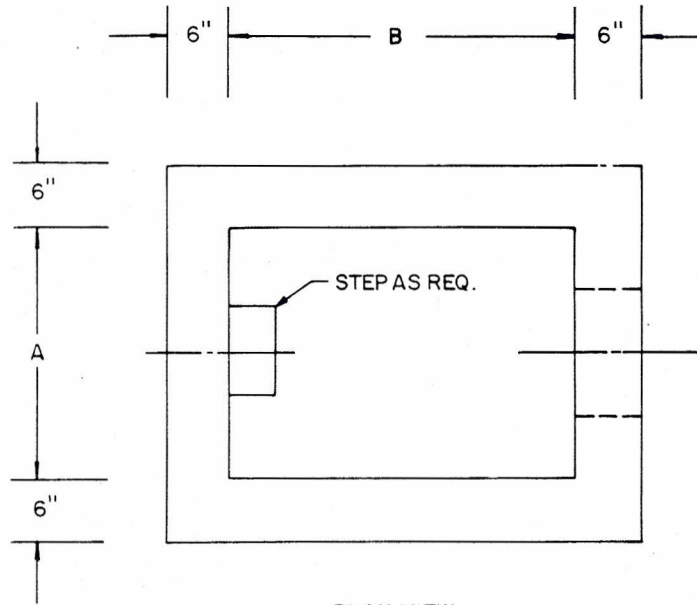
- WHEN ORDERING-STATE THE FOLLOWING:
- DIMENSIONS A,B,C,D,E AND F
 - SIZE & LOCATION OF ROOF OPENING (J)
 - SIZE & LOCATION OF PRECAST PIPE OPENINGS
 - CAST IRON GRATE SIZE, MODEL NUMBER AND MANUFACTURER (G)
 - TYPE AND LOCATION OF RUNG



ELEVATION

Concrete to test 4000 PSI at 28 days
in conformance with ASTM C-478-68

<p>EXPANDED SUPPLY PRODUCTS, INC. 3330 ROUTE 9 COLD SPRING, NY 10516 TEL. (845) 265-3771 FAX (845) 265-3772</p>
<p>Rectangular Catch Basin with Top Slab</p>
<p>Date: 12/22/93 Dwg. # 106</p>

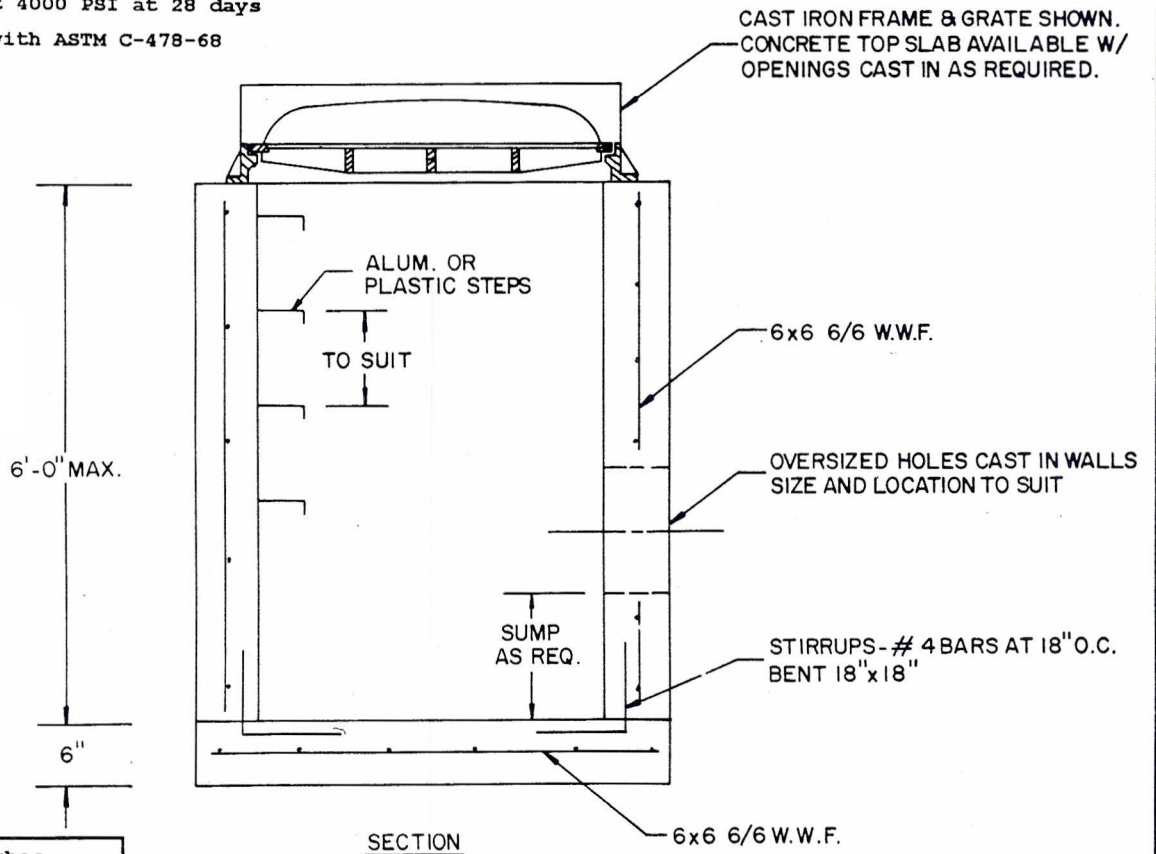


PLAN VIEW

Note:

- intermediate sections available
- steps available-see dwg. #103

Concrete to test 4000 PSI at 28 days
in conformance with ASTM C-478-68



SECTION

Dimensions in inches		
DWG. #	A	B
107-2424	24	24
107-3030	30	30
107-3036	30	36
107-3048	30	48
107-3636	36	36
107-4248	42	48
107-4848	48	48
Other sizes available		

EXPANDED SUPPLY PRODUCTS, INC. 3330 ROUTE 9 COLD SPRING, NY 10516 TEL. (845) 265-3771 FAX (845) 265-3772	
"Custom" Precast Catch Basins	
Date: 12/22/93	Dwg. # 107